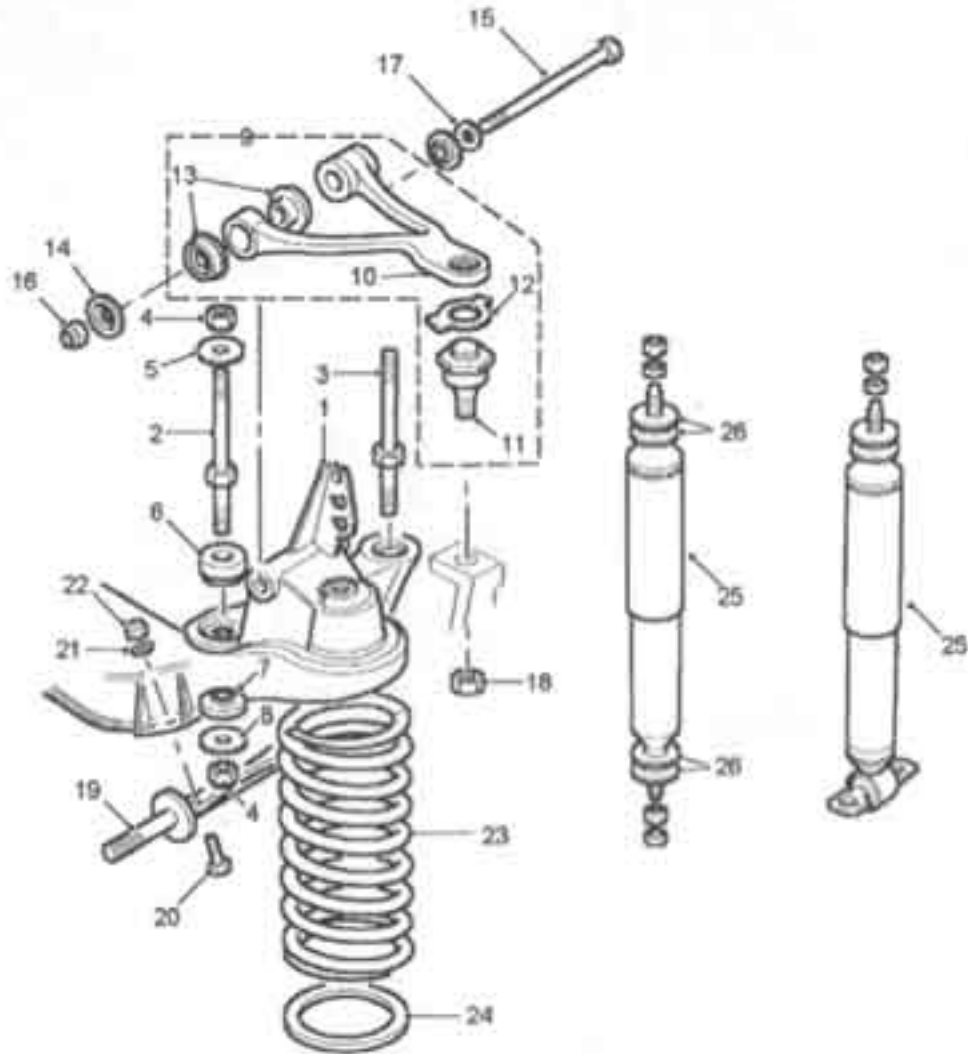


# London Taxis International Taxi TX1 Range

G02  
Fiche 1

## Axes, Suspension & Wheels Front Suspension Upper Wishbone, Spring and Damper

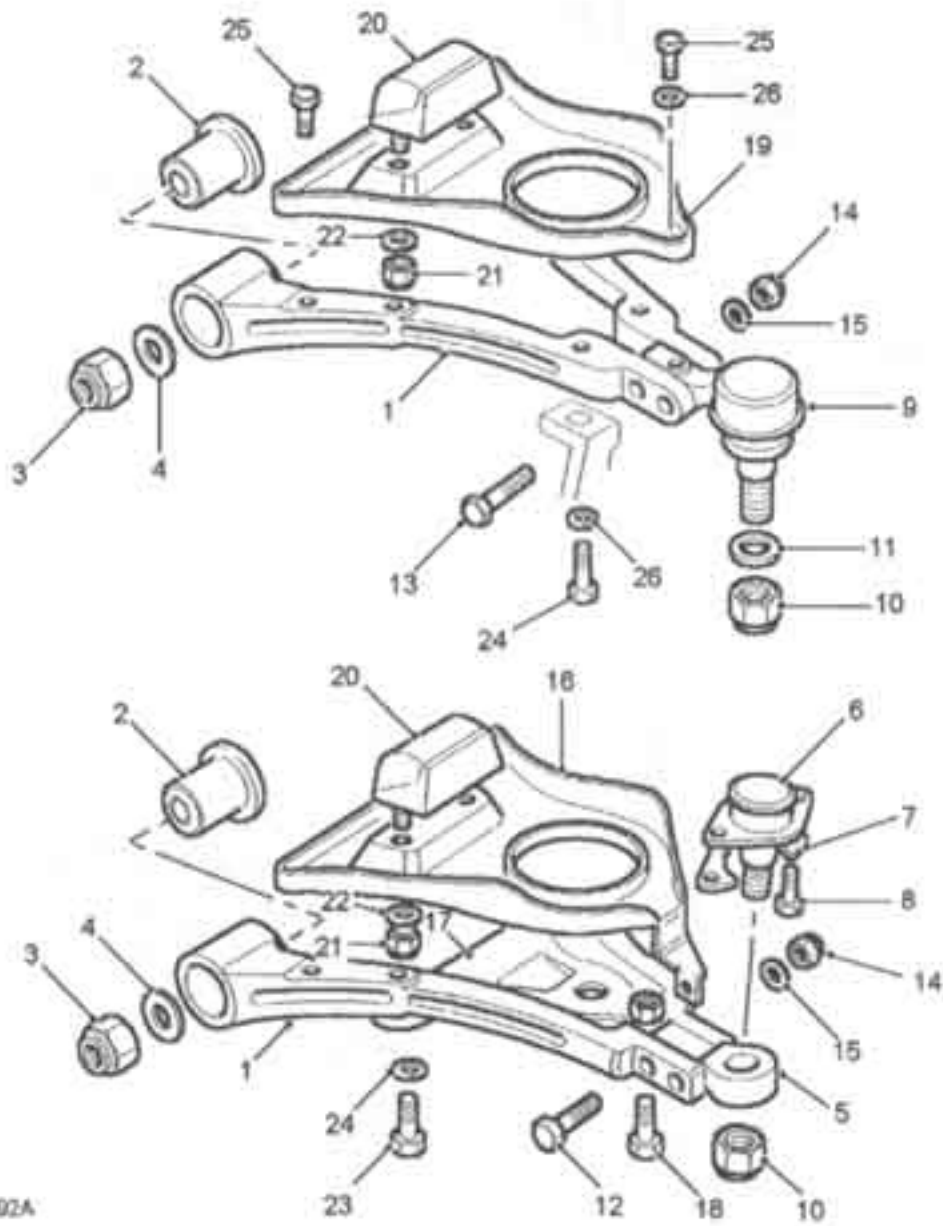


Illus	Part Number	Description	Quantity	Change Point	Remarks
1	602507	Crossmember assembly-front suspension .....	1		
2	607349	Stud-crossmember to chassis .....	2		
3	607350	Stud-crossmember to chassis .....	2		
4	900176	Nut .....	8		
5	6K9418	Washer-plain .....	4		
6	1B4553	Mounting-rubber .....	4		
7	1B4550	Washer-rubber .....	NLA		Use 610437.
7	610437	Washer-plastic .....	4		
8	1B4551	Washer .....	4	To (V) XC 106111	
8	610409	Washer .....	4	From (V) XC 106112	
9	604433	WISHBONE ASSEMBLY-FRONT SUSPENSION- ...	1		
		UPPER-LH .....			
9	604434	WISHBONE ASSEMBLY-FRONT SUSPENSION- ...	1		
		UPPER-RH .....			
10	604431	• Wishbone-front suspension-LH .....	1		Part of 604433.
11	604435	• Ball Joint-upper .....	1		
12	604521	• Washer-tab upper ball joint .....	1		
13	602215	• Bush .....	2		Part of 604434.
10	604432	• Wishbone-front suspension-RH .....	1		
14	602216	Washer-sealing .....	4		
15	602538	Bolt .....	2		
16	602201	Nut-5/8UNF .....	2		
17	602202	Washer-plain-5/8UNF .....	4		
18	602195	Nut-hexagonal-nyloc-M12 .....	2		
19	602580	Shaft-pivot front suspension-M8 x 25 .....	2		
20	604387	Bolt-M12 x 45 .....	8		
21	WPN12H	Washer-plain .....	8		
22	602195	Nut-hexagonal-nyloc-M12 .....	8		
23	607868	Spring-road front coil .....	2		
24	602197	Washer .....	4		
25	608421	DAMPER FRONT .....	2	To (V) XC 105585	
26	801643	• Bush-damper mounting front suspension .....	4		
27	610247	Damper front .....	2	From (V) XC 105586	

# London Taxis International Taxi TX1 Range

G03  
Fiche 1

Axes, Suspension & Wheels  
Front Suspension  
Lower Wishbone and Balljoint



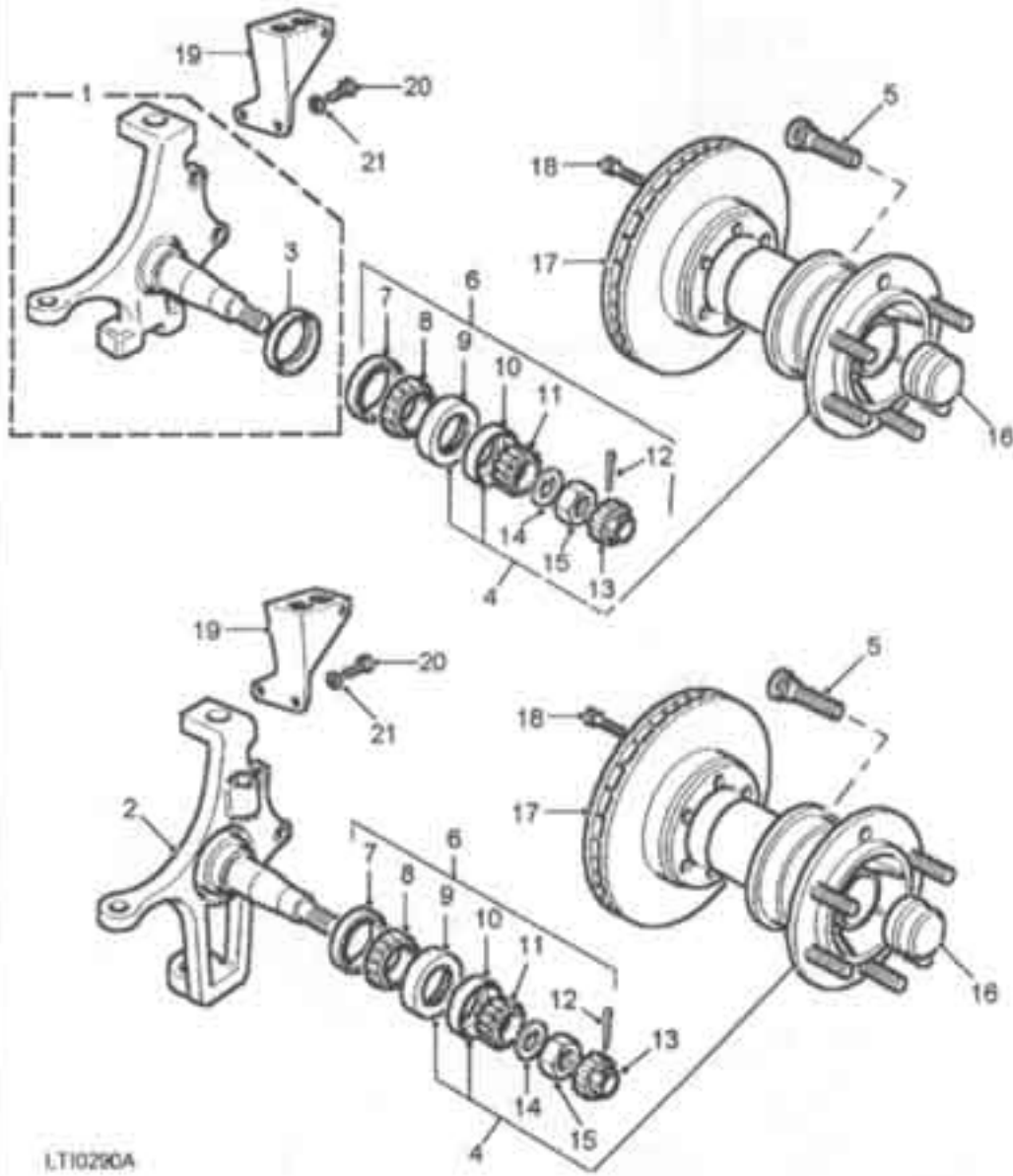
Illus	Part Number	Description	Quantity	Change Point	Remarks
1	602615	WISHBONE ARM-LH-REAR-RH-FRONT	2	To (V) XC 105585	RHD
1	602616	WISHBONE ARM-RH-REAR-LH-FRONT	2	To (V) XC 105585	RHD
1	604341	WISHBONE ARM-LH-REAR-RH-FRONT	2	From (V) XC 105586	RHD
1	604342	WISHBONE ARM-RH-REAR-LH-FRONT	2	From (V) XC 105586	RHD
1	604341	WISHBONE ARM-LH-REAR-RH-FRONT	2		LHD
1	604342	WISHBONE ARM-RH-REAR-LH-FRONT	2		LHD
2	602570	• Bush	1		
3	602655	Nut-hexagonal-nyloc-M20	4		
4	602656	Washer-plain-M20	4		
5	601954	Carrier-ball joint-LH	1		
5	601955	Carrier-ball joint-RH	1		
6	604384	Ball Joint-lower	2		
7	603187	lockwasher	2		
8	603185	bolt-M10	4		
9	604153	Ball Joint-LH	1		
9	604154	Ball Joint-RH	1		
10	602200	Nut-M18	2		
11	607672	Washer	2		
12	602214	Bolt-M12 x 80-M12 x 80	4		
13	604323	Bolt-M12 x 90	1		
14	602195	Nut-hexagonal-nyloc-M12	4		
15	WPN12H	Washer-plain	4		
16	602423	Bracket-front spring mounting	2		
17	602928	Mounting-damper front-lower	2		
18	B845HEX	Bolt-damper bracket to ball joint-M8 x 45	2		
19	604155	Bracket-front spring mounting	1		
20	604094	Buffer-stop	2		
21	602275	Nut-M8	4		
22	WPN8H	Washer-plain-M8	4		
23	B855HEX	Bolt	4		
24	WPN8H	Washer-plain-M8	4		
25	610261	Setscrew-damper mounting-M8 x 25	4		
26	WPN8H	Washer-plain-M8	2		

# London Taxis International Taxi TX1 Range

G04  
Fiche 1

## Axles, Suspension & Wheels Front Suspension Front Hub Assembly

Illus	Part Number	Description	Quantity	Change Point	Remarks
	1 602599	• KNUCKLE-STEERING-LH .....	1	} Note (1)	
	1 602600	• KNUCKLE-STEERING-RH .....	1		
	3 602582	• Protector-seal .....	1	} Note (2)	
	2 610245	• Knuckle-steering-LH .....	1		
	2 610246	• Knuckle-steering-RH .....	1		
	4 801293	• HUB ASSEMBLY FRONT .....	2		
	5 602542	• Stud .....	6		
	6 801938	• KIT-HUB BEARING & OIL SEAL .....	1		
	7 602657	• Seal-oil front hub .....	1		
	8 801292	• Bearing-taper roller-inner .....	NLA		Use 602514.
	8 602514	• Bearing-taper roller-inner .....	1		
	9 801291	• Cup-bearing-inner .....	1		
	10 801289	• Cup-bearing-outer .....	1		
	11 801290	• Bearing-taper roller-outer .....	NLA		Use 602513.
	11 602513	• Bearing-taper roller-outer .....	1		
	12 602537	• Pin-split .....	2		
	13 602477	• Retainer-floating nut .....	1		
	14 602517	• Washer .....	NLA		Use 609901 New washer will not become dished.
	15 602552	• Nut-castle .....	1		
	16 602511	• Cap-grease front hub .....	1		
	17 602550	• Disc-vented brake-front .....	1		
	14 609901	Washer .....			
	18 602519	Screw-disc to hub-M10 .....	12		
	19 602689	Bracket-hose brake-LH .....	1		
	19 602690	Bracket-hose brake-RH .....	1		
	20 S612HEX	Setscrew-M6 x 12 .....	4		
	21 WS6H	Washer-spring-M6 .....	4		



LT10290A

CHANGE POINTS:  
(1) To (V) XC 105585  
(2) From (V) XC 105586