

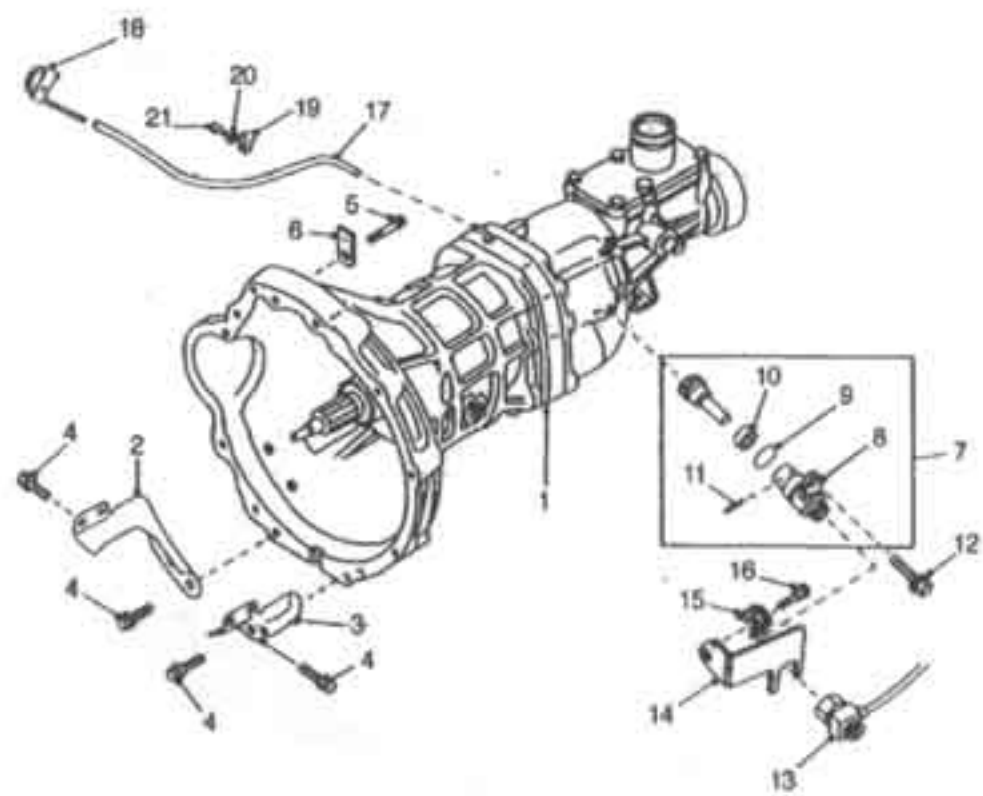
# London Taxis International Taxi TX1 Range

F02  
Fiche 1

Gearbox  
Manual Gearbox  
Manual Gearbox and Fittings

Illus	Part Number	Description	Quantity	Change Point	Remarks
	1 603271	Transmission assembly manual-new .....	NLA		
	1 800802E	Transmission assembly manual-exchange .....	1		Use 800802E.
	2 604422	Gusset-transmission to engine-RH .....	1		
	3 604421	Gusset-transmission to engine-LH .....	1		
	4 603276	Bolt-gusset to engine and gearbox .....	8		
	5 605021	Bolt-gearbox to engine .....	1		
	6 603535	Bracket .....	1		
	7 603281	PINION-SPEEDOMETER DRIVE MANUAL .....	1		
	800804	TRANSMISSION .....			
		• Pinion-speedometer drive 18t manual .....	1		
	8 800805	transmission .....			
	9 800806	• Sleeve .....	1		
	10 800807	• Seal .....	1		
	11 800808	• O ring .....	1		
	12 603278	• Pin-roll .....	1		
	13 602696	Screw .....	1		
	14 600968	Transducer speed .....	1		
	15 600759	Lock drive-taximeter .....	1		
	16 605171	Plate .....	1		
	17 600489	Screw .....	1		
	18 600434	Tube-breather transmission case .....	1		
	18 609665	Elbow assembly-breather pipe .....	1		
	19 600484	Elbow assembly-breather pipe .....	1		
	20 AKG1989	Clip-p .....	1		
	21 8153	Washer .....	1		
		Screw-No 14 x 5/8 .....	1		

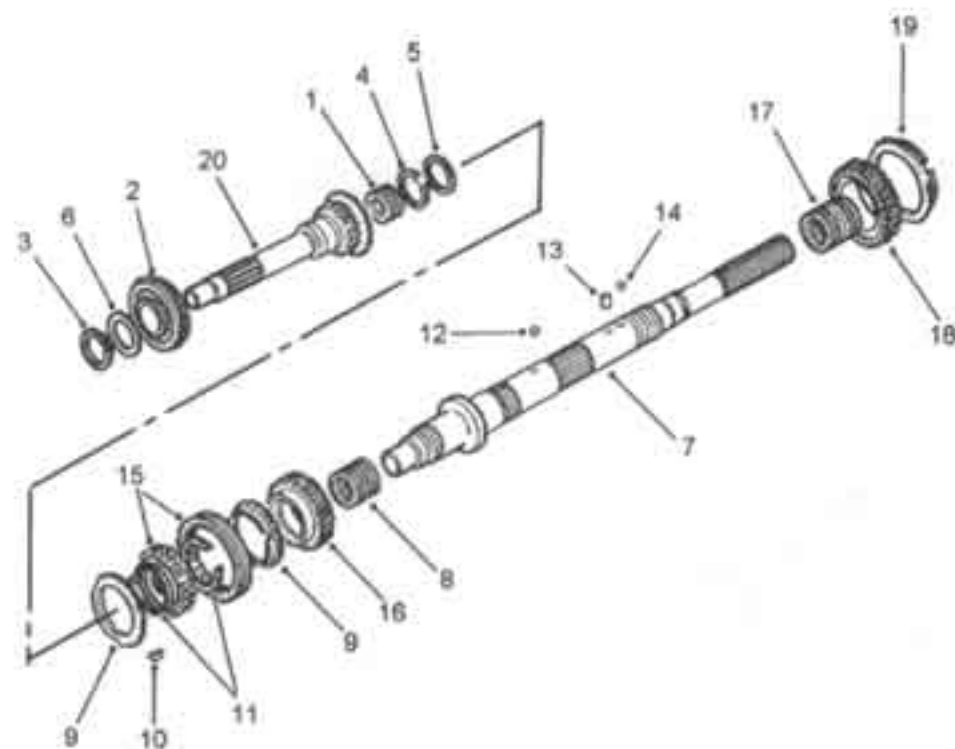
Note (1) ..... Non EGR  
Note (2) ..... EGR



# London Taxis International Taxi TX1 Range

**F03**  
Fiche 1

**Gearbox**  
Manual Gearbox  
Main and Primary Shafts



Illus	Part Number	Description	Quantity	Change Point	Remarks
1	800855	Bearing-needle roller .....	1	Note (1)	
1	900590	Bearing-needle roller .....	1	Note (2)	
2	900556	Bearing-roller .....	1		
3	800862	Ring-snap-1.87mm .....	1		
3	800863	Ring-snap-1.94mm .....	1		
3	800864	Ring-snap-2.01mm .....	1		
4	800880	Ring-snap-2.40mm .....	1		
4	800881	Ring-snap-2.50mm .....	1		
5	800879	Washer-thrust .....	1		
6	800857	Spacer .....	1		
7	900589	Shaft-main manual transmission .....	NLA		Use 900589 qty 1 with 900590 qty 1 with 900583 qty 1.
7	900589	Shaft-main manual transmission .....	1		
8	900556	Bearing-roller .....	1		
9	900584	Ring-baulk-3rd/4th .....	1		
10	900576	Plate-synchroniser-3rd/4th .....	3		
11	900578	Spring-3rd & 4th-3rd/4th .....	1		
12	800888	Ball-detent manual transmission .....	1		
13	800896	Pin .....	1		
14	800599	Ball-detent manual transmission .....	1		
16	900587	Gear-3rd driven manual transmission .....	1		
18	900586	Gear-2nd driven manual transmission .....	1		
19	900574	Ring-baulk-2nd gear .....	1		
20	900562	Gear set-main drive .....	1	Note (3)	
20	900563	Gear set-main drive .....	1	Note (2)	

LT10296

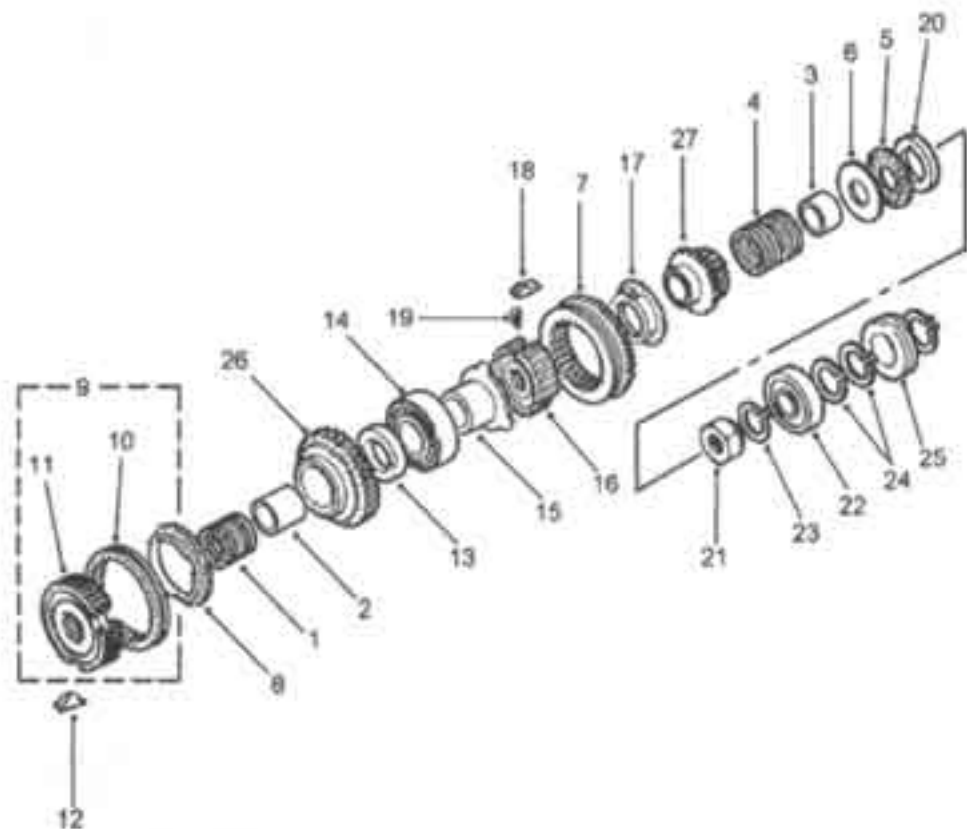
CHANGE POINTS:  
 (1) To (G)01/97 approx  
 (2) From (G)01/97 approx  
 (3) From (G)06/96 approx To (G)01/97 approx

# London Taxis International Taxi TX1 Range

F04

Fiche 1

Gearbox  
Manual Gearbox  
Main Shaft Gears



Illus	Part Number	Description	Quantity	Change Point	Remarks
1	800858	Bearing-needle roller-1st gear .....	1	Note (1) .....	Manual
1	900565	Bearing-needle roller-1st gear .....	1	Note (2) .....	Manual
1	900566	Bearing-needle roller-1st gear .....	1	Note (3) .....	Manual
2	800859	Bush-1st gear .....	1	Note (4) .....	Manual
2	900588	Bush-1st gear .....	1	Note (3) .....	Manual
3	800867	Bush-overdrive gear .....	1	.....	Manual
4	800868	Bearing-needle roller-overdrive gear .....	2	Note (5) .....	Manual
4	900567	Bearing-needle roller-overdrive gear .....	2	Note (6) .....	Manual
5	800869	Bearing-roller .....	1	.....	Manual
6	800870	Spacer .....	1	.....	Manual
7	800871	Gear-reverse manual transmission .....	1	Note (7) .....	Manual
7	900568	Gear-reverse manual transmission .....	1	Note (8) .....	Manual
8	800875	Ring-baulk-1st gear .....	1	Note (7) .....	Manual
8	900573	Ring-baulk-1st gear .....	1	Note (8) .....	Manual
10	800874	Sleeve set-synchroniser 1st & 2nd gears .....	1	Note (4) .....	Manual
10	900572	Sleeve set-synchroniser 1st & 2nd gears .....	1	Note (3) .....	Manual
11	800873	Hub 1st & 2nd synchroniser .....	1	Note (4) .....	Manual
11	900570	Hub 1st & 2nd synchroniser .....	1	Note (3) .....	Manual
11	900571	Hub 1st & 2nd synchroniser .....	1	Note (8) .....	Manual
12	800877	Plate-synchroniser .....	3	Note (4) .....	Manual
12	900575	Plate-synchroniser-1st/2nd .....	3	Note (3) .....	Manual
13	800887	Washer-thrust .....	1	.....	Manual
14	800889	Bearing-roller-mainshaft .....	1	.....	Manual
15	800890	Spacer .....	1	.....	Manual
16	800891	Hub-synchronizer reverse & overdrive .....	1	.....	Manual
17	800893	Ring-baulk .....	1	.....	Manual
18	800894	Plate-synchroniser .....	3	.....	Manual
19	800886	Spring-overdrive gear .....	1	.....	Manual
20	800895	Washer .....	3	.....	Manual
21	800897	Nut .....	1	.....	Manual
22	800898	Bearing-roller .....	1	.....	Manual

**CHANGE POINTS:**

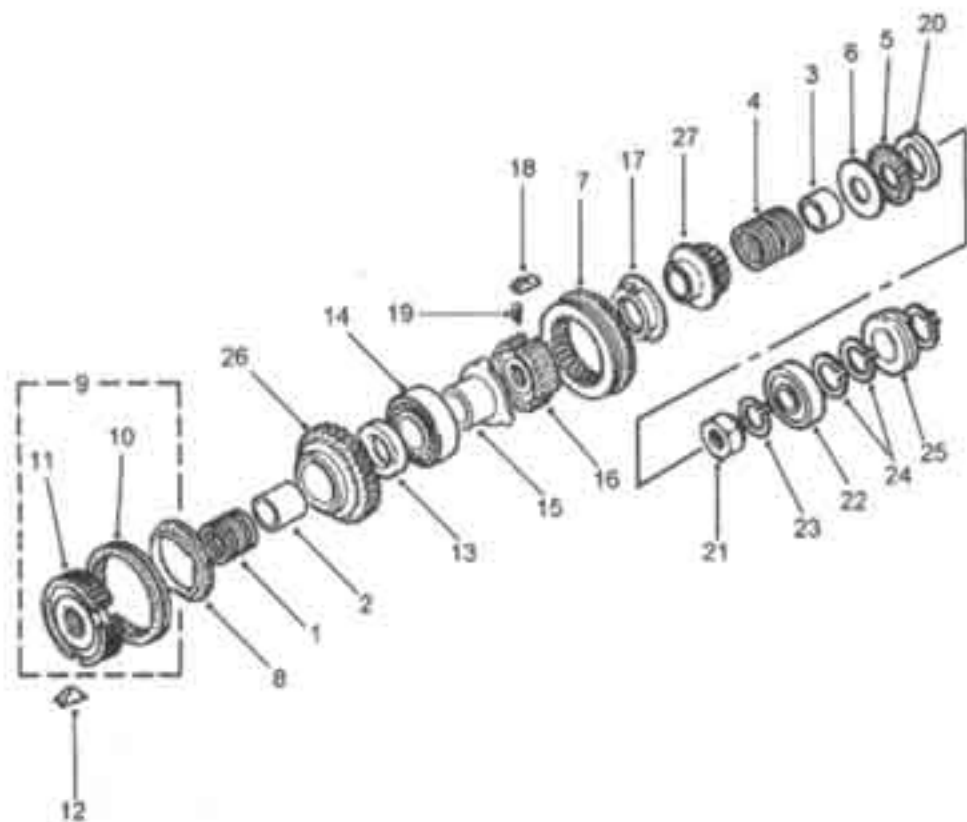
- (1) To (G)03/91 approx
- (2) From (G)03/91 approx To (G)06/93 approx
- (3) From (G)06/93 approx
- (4) To (G)06/93 approx
- (5) To (G)08/93 approx
- (6) From (G)08/93 approx
- (7) To (G)12/93 approx
- (8) From (G)12/93 approx

# London Taxis International Taxi TX1 Range

**F05**  
Fiche 1

**Gearbox**  
Manual Gearbox  
Main Shaft Gears

Illus	Part Number	Description	Quantity	Change Point	Remarks
23	800900	Ring-snap-1.1mm .....	1	.....	Manual
24	800901	Ring-snap-1.20mm .....	1	.....	Manual
24	800902	Ring-snap-1.30mm .....	1	.....	Manual
24	800903	Ring-snap-1.40mm .....	1	.....	Manual
25	800904	Gear-speedometer drive .....	1	Note (1) .....	Manual
25	900582	Gear-speedometer drive .....	1	Note (2) .....	Manual
26	800911	Gear-1st driven manual transmission-18mm-wide ...	1	Note (3) .....	Manual
26	900585	Gear-1st driven manual transmission .....	1	Note (4) .....	Manual
27	800915	Gear set-overdrive-18mm-wide .....	1	.....	Manual



LT10297

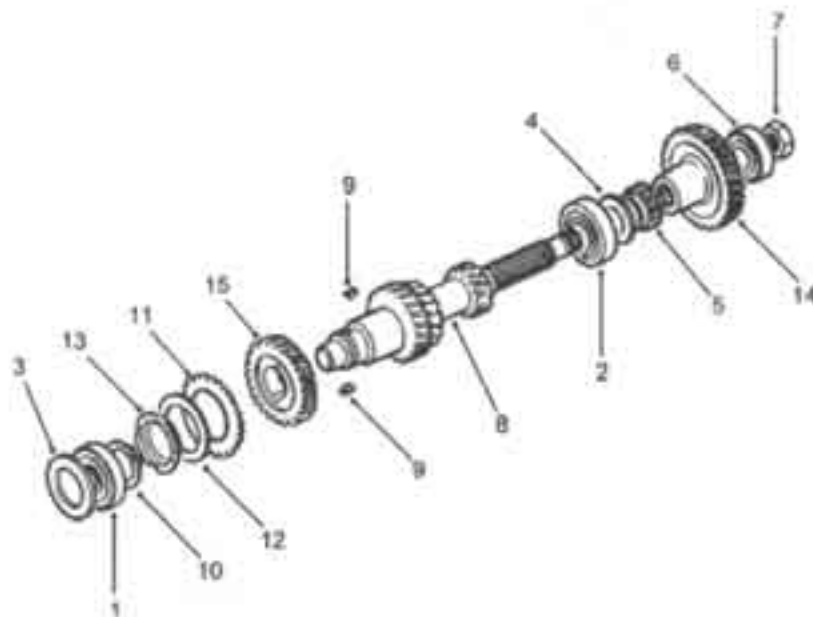
**CHANGE POINTS:**  
 (1) To (G)12/93 approx  
 (2) From (G)12/93 approx  
 (3) To (G)06/93 approx  
 (4) From (G)06/93 approx

# London Taxis International Taxi TX1 Range

F06  
Fiche 1

Gearbox  
Manual Gearbox  
Layshaft

illus	Part Number	Description	Quantity	Change Point	Remarks
1	800843	Bearing intermediate shaft assembly-front.....	1	Note (4).....	Manual
2	900552	Bearing intermediate shaft assembly-middle.....	1	Note (5).....	Manual
3	800845	Shim-intermediate shaft-0.10mm .....	1	.....	Manual
3	800846	Shim-intermediate shaft-0.20mm .....	1	.....	Manual
3	800847	Shim-intermediate shaft-0.30mm. ....	1	.....	Manual
3	800848	Shim-intermediate shaft-0.40mm. ....	1	.....	Manual
3	800849	Shim-intermediate shaft-0.50mm .....	1	.....	Manual
3	800850	Shim-intermediate shaft-0.60mm .....	1	.....	Manual
4	900553	Spacer .....	1	Note (2).....	Manual
5	900554	Gear-reverse manual transmission.....	1	Note (3).....	Manual
7	800854	Nut.....	1	.....	Manual
8	900583	Gear-intermediate shaft.....	1	Note (1).....	Manual
9	800907	Key.....	2	.....	Manual
10	800908	Ring-snap-1.40mm .....	1	.....	Manual
10	800909	Ring-snap-1.5mm .....	1	.....	Manual
10	900584	Ring-snap-1.60mm. ....	1	.....	Manual
11	800916	Gear sub-counterdrive .....	1	.....	Manual
12	800918	Spring .....	1	.....	Manual
13	800917	Bracket-sub gear-counterdrive.....	1	.....	Manual



LT10298

**CHANGE POINTS:**

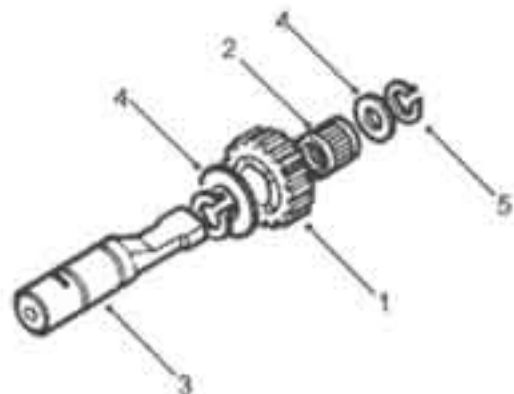
- (1) From (G)06/93 approx
- (2) From (G)11/93 approx
- (3) From (G)07/92 approx
- (4) To (G)08/97 approx
- (5) From (G)11/93 approx To (G)06/97 approx

London Taxis International Taxi TX1 Range

F07  
Fiche 1

Gearbox  
Manual Gearbox  
Reverse Gear Shaft

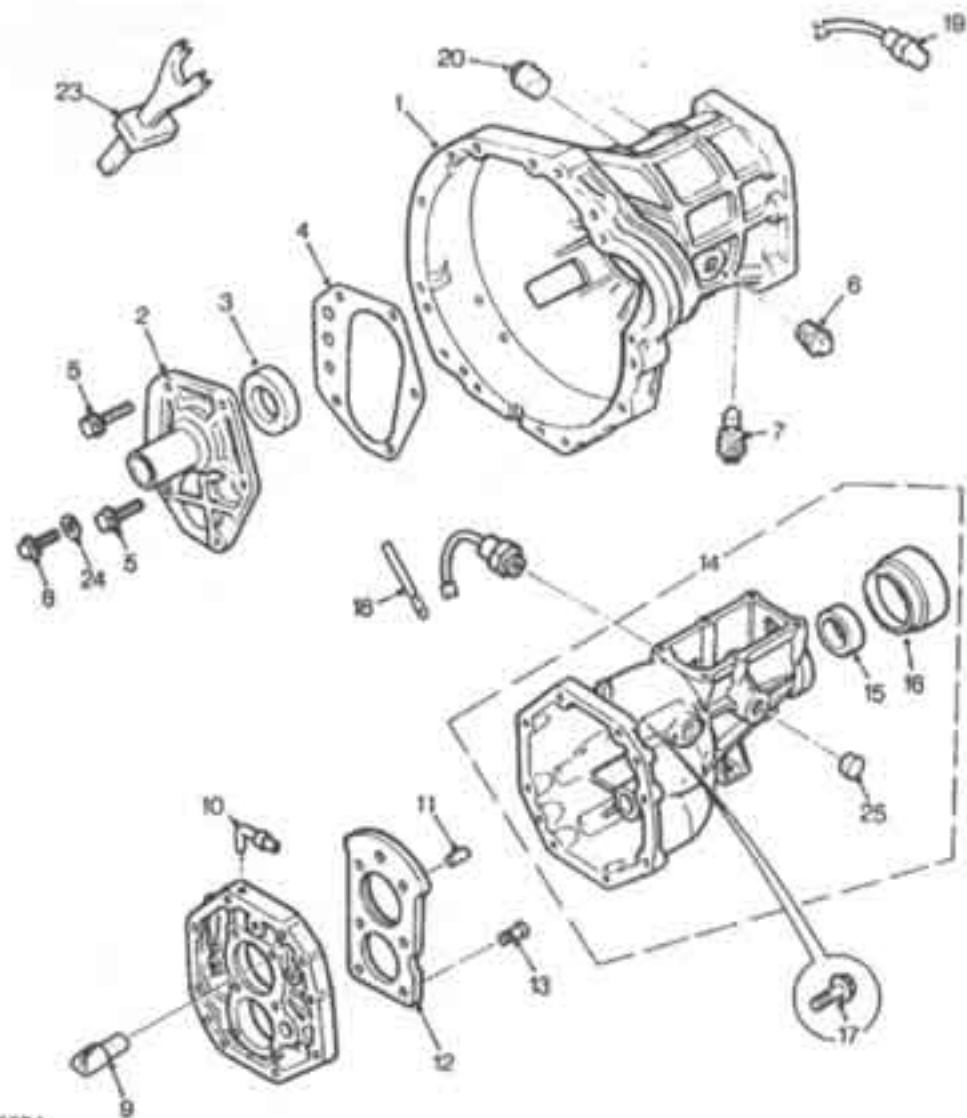
Illus	Part Number	Description	Quantity	Change Point	Remarks
1	800838	Gear-reverse idler manual transmission.....	1		
2	900550	Bearing-needle roller idler gear .....	1		
3	800840	Shaft-reverse idler assembly-manual transmission ..	1		
4	800841	Washer-thrust idler gear .....	2		
5	800842	Ring-snap .....	2		



# London Taxis International Taxi TX1 Range

F08  
Fiche 1

Gearbox  
Manual Gearbox  
Gearbox Case and Cover



Illus Part Number

- 1 800810
- 2 800811
- 3 800812
- 4 800813
- 5 800814
- 6 800815
- 7 800816
- 8 800817
- 9 800818
- 10 800819
- 11 800820
- 12 800821
- 13 800822
- 14 800823
- 15 800824
- 16 600121
- 17 800826
- 19 800828
- 20 800829
- 22 800830
- 23 800831
- 24 801065
- 25 801118

Description

- Case assembly manual transmission .....
- Cover assembly-front.....
- Seal.....
- Gasket-front cover manual transmission .....
- Bolt.....
- Plug-level .....
- Plug-drain .....
- Pivot-clutch release lever .....
- Adaptor-oil gutter .....
- Breather manual transmission .....
- Dowel.....
- Retainer .....
- Bolt.....
- Case-manual transmission-rear.....
- Seal-rear .....
- Shield-dust transmission-rear .....
- Bolt.....
- Switch-reverse light manual transmission.....
- Plug.....
- Plate.....
- Arm-clutch release clutch .....
- Washer .....
- Plug.....

Quantity

Change Point

Remarks

- 1
- 1
- 1
- 1
- 5
- 1
- 1
- 1
- 1
- 1
- 2
- 1
- 6
- 1
- 1
- 1
- 8
- 1
- 2
- 1
- 1
- 1
- 1



# London Taxis International Taxi TX1 Range

F10  
Fiche 1

Gearbox  
Manual Gearbox  
Gearbox Rods and Forks

Illus Part Number

Description

Quantity

Change Point

Remarks

- 45 800966
- 46 600900
- 47 600901
- 48 600218
- 50 801016
- 52 801091
- 53 801062
- 54 801064
- 55 801032
- 56 801010
- 57 801178

- Boot-change lever manual transmission..... 1
- Tie-cable-upper..... 1
- Tie-cable-lower..... 1
- Knob assembly-change manual transmission..... 1
- Bolt..... 1
- Nut..... 1
- Washer..... 1
- Washer-spring..... 1
- Bolt..... 1
- Bolt..... 1
- Washer..... 1

