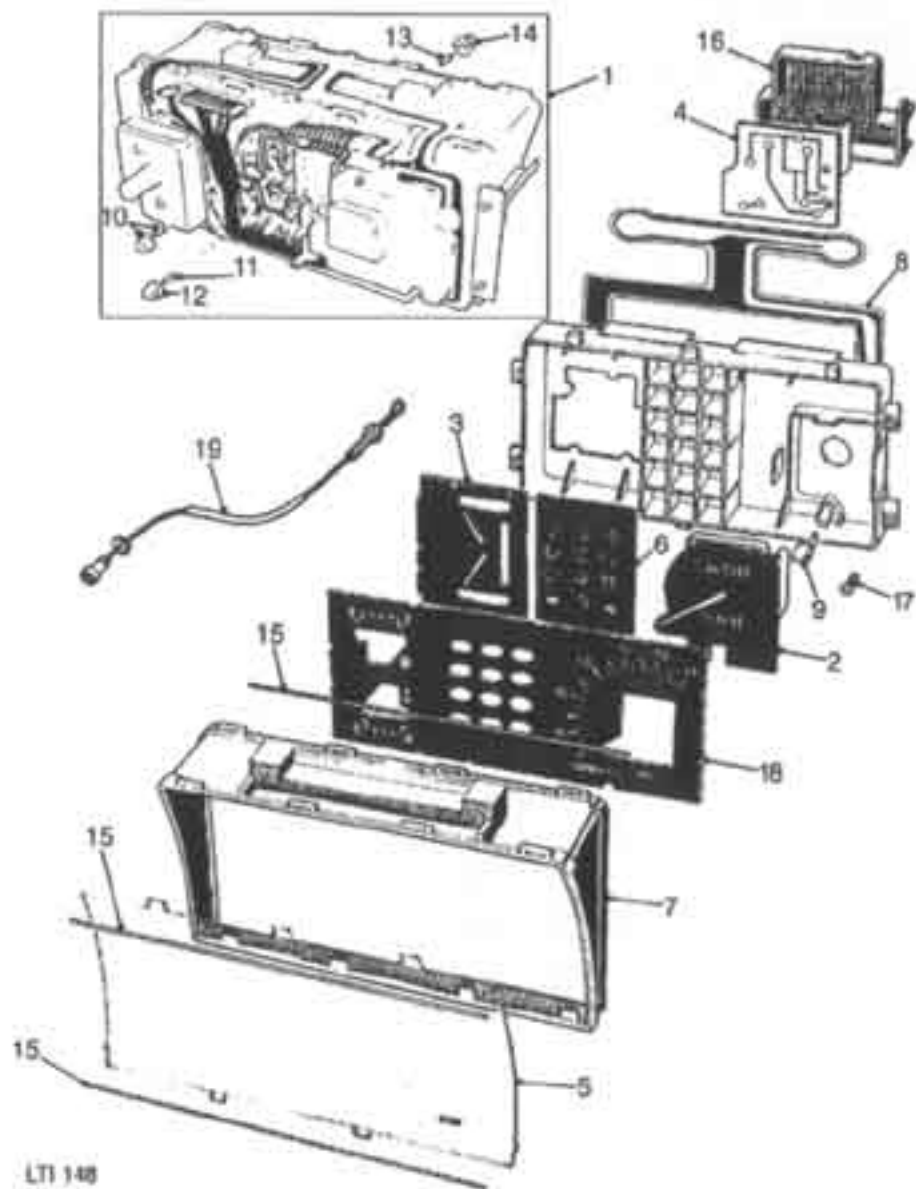


London Taxis International Taxi TX1 Range

M08

Fiche 1

Body Electrics
Instruments
Instrument Pan and Gauge



illus Part Number

1 606691
1 609555
2 900001
3 900003
4 900004
5 900005
6 900006
7 900007
8 900008
9 900009
10 801186
11 GLB713
12 801187
13 900010
14 900011
15 900012
16 900013
17 9568
18 900014
2 900002
18 900681
19 607945
19 610039
10 610297
607843
8163
9078

Description

INSTRUMENT PACK-MPH-RHD 1
INSTRUMENT PACK-KMH-LHD 1
• Speedometer-MPH 1
• Gauge-fuel & temperature 1
• Printed circuit board instrument pack 1
• Visor-speedometer 1
• Lens-warning instrument pack 1
• Cowl-instrument pack 1
• Printed circuit board instrument pack 1
• Knob trip reset 1
• Bulbholder 15
• Bulb 1
• Bulbholder 2
• Bulb-762 1.2 Watt 2
• Holder-double pole bulb 1
• Wire-visor retention 3
• Cover-instrument pack rear 1
• Screw-No 6 x 3/4 4
• Mask-printed-MPH 1
• Speedometer-KMH 1
• Mask-printed-KPH 1
Cable speedometer-RHD 1
Cable speedometer-automatic-LHD 1
Cable speedometer-manual-LHD 1
Clip-pipe-speedo cable to pas pipe A/R
Clip-pipe-Speedo Cable To Chassis Frame 1
Clip-pipe-speedo cable to brake pipe 1

Quantity

Change Point

Remarks

Part of 606691.

Part of 606691.

Part of 609555.

Part of 609555.

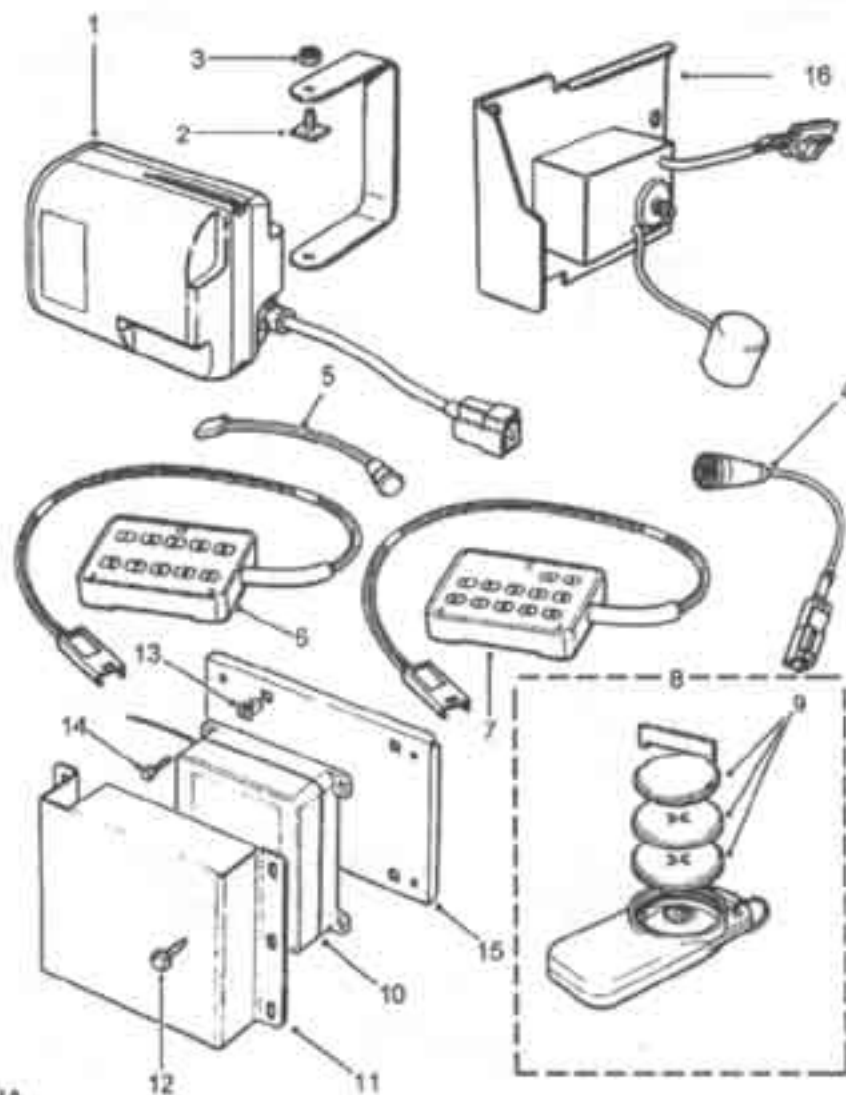
Manual

London Taxis International Taxi TX1 Range

M09

Fiche 1

Body Electrics
Vehicle Security
Vehicle Security



Illus	Part Number	Description	Quantity	Change Point	Remarks
1	608028	Sounder unit burglar alarm	1	Note (1)	
1	609394	Sounder unit burglar alarm	1	Note (2)	
2	608029	Bolt-sounder unit to mounting	2		
3	NL6	Nut-hexagonal-nyloc-M6	2		
4	608027	Sensor ultrasonic	1		
5	608030	Indicator-light emitting diode burglar alarm-sounder unit to mounting	1		
6	608032	Key-switch burglar alarm-c/w adhesive pads	1	Note (1)	
7	609395	Key-switch burglar alarm-c/w adhesive pads	1	Note (2)	
8	900113	Transmitter plip burglar alarm-c/w tool	1		
9	802896	Battery-transmitter burglar alarm	1		
10	606902	Control unit-immobiliser-c/w radio key	1	Note (1)	
10	609393	Control unit-immobiliser	1	Note (2)	
11	608033	Box security-immobiliser-RHD	1	Note (1)	
11	609829	Box security-immobiliser-RHD	1	Note (2)	
11	610091	Box security-immobiliser-LHD	1		
12	608034	Screw-M4 x 8	4		
13	608037	Nut-lokut-ecu to mounting plate-No 6	4		
14	900114	Screw-ecu to mounting plate	4		
15	608710	Bracket-electric control unit mounting	1	Note (1)	
15	609672	Bracket-electric control unit mounting-RHD	1	Note (2)	
16	609990	switch-fuel cut off	NLA		
16	610804	switch-fuel cut off	1		Use 610804.
	S820HEXDC	Setscrew-M6 x 20-Dacromet	3		
	WS8HDC	Washer-spring-M8-Dacromet	3		
	AKG1990	Washer-spring-1/4"	1		


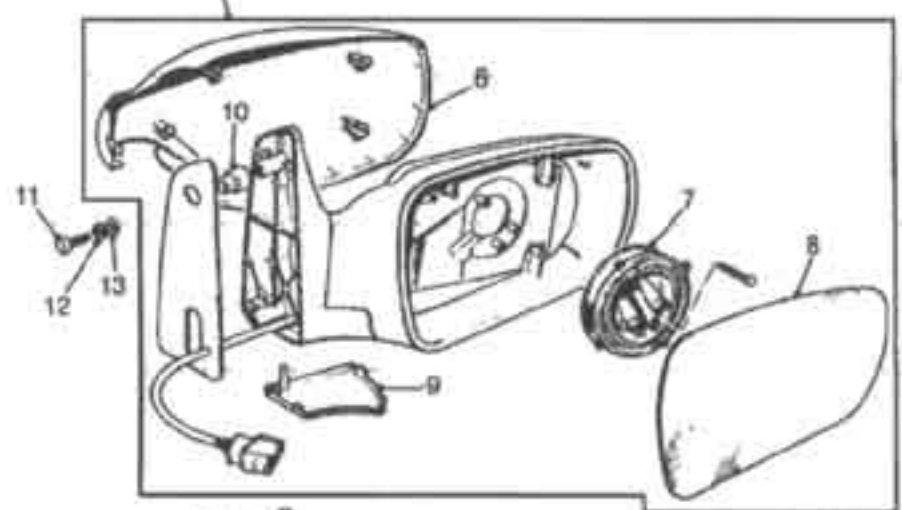
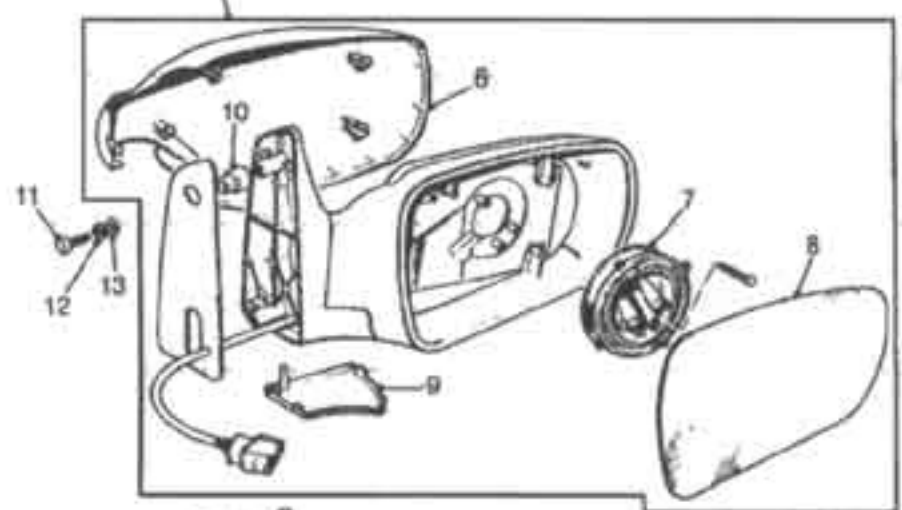
LT1173A

CHANGE POINTS:
(1) To (V) WC 102766
(2) From (V) WC 102767

London Taxis International Taxi TX1 Range

M10
Fiche 1

Body Electrica
Door Fittings and Horn
Door Mirrors and Horn

Illus	Part Number	Description	Quantity	Change Point	Remarks
	1 604441	Horn assembly-RHD.....	1		
	1 609847	Horn assembly-LHD.....	1		
	2 S616HEX	Setscrew-horn-mounting-M6 x 16.....	1		
	3 WS6H	Washer-spring-M6.....	1		
	4 WPL6H	Washer-plain-M6.....	1		
	5 607100	MIRROR ASSY ELECTRIC-EXTERIOR-RH-RHD... NLA			Use 610353 For vehicles built before Vin No XC105630 Link Harness 900674 must be used.
	5 607099	MIRROR ASSY ELECTRIC-EXTERIOR-LH-RHD... NLA			Use 610352 FOR VEHICLES BUILT BEFORE VIN NU-XC105630 LINH HARNESS 900764 MUST BE USED.
	5 610063	MIRROR ASSY ELECTRIC-EXTERIOR-LH-LHD	1	Note (1)	
	5 610064	MIRROR ASSY ELECTRIC-EXTERIOR-RH-LHD ...	1	Note (1)	
	5 610354	MIRROR ASSY ELECTRIC-EXTERIOR-RH-LHD ...	1	Note (2)	LHD
	5 610355	MIRROR ASSY ELECTRIC-EXTERIOR-LH-LHD ...	1	Note (2)	LHD
	5 610352	MIRROR ASSY ELECTRIC-EXTERIOR-LH-RHD ...	1		RHD
	5 610353	MIRROR ASSY ELECTRIC-EXTERIOR-RH-RHD ...	1		
	6 900059	• Cover-exterior mirror assembly base-RH.....	1		Part of 607100, 610064, 610355, 610353.
	7 900061	• Motor assembly-exterior mirror assembly electric... 1			
	8 900089	• Glass assembly-mirror flat-RH.....	1		Part of 607100, 610064, 610355, 610353.
	9 900064	• Cap-exterior mirror-RH-RHD.....	1		Part of 607100, 610353.
	6 900060	• Cover-exterior mirror assembly base-LH.....	1		Part of 607099, 610063, 610354, 610352.
	8 900090	• Glass assembly-mirror flat-LH.....	1		Part of 607099, 610063, 610354, 610352.
	9 900065	• Cap-exterior mirror-LH-RHD.....	1		Part of 607099, 610352.
	10 900091	• Bush.....	2		Part of 607099.
9 900615	• Cap-exterior mirror-LH-LHD.....	1		Part of 610063, 610354.	
9 900614	• Cap-exterior mirror-RH-LHD.....	1		Part of 610064, 610355.	
	900674	Harness-link.....	1		

LT00174C

CHANGE POINTS:
(1) To (V) XC 105629
(2) From (V) XC 105630

London Taxis International Taxi TX1 Range

M12
Fiche 1

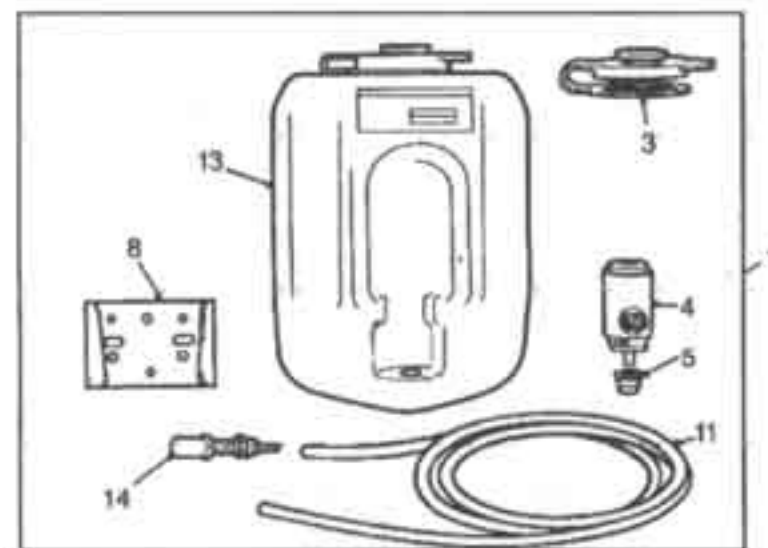
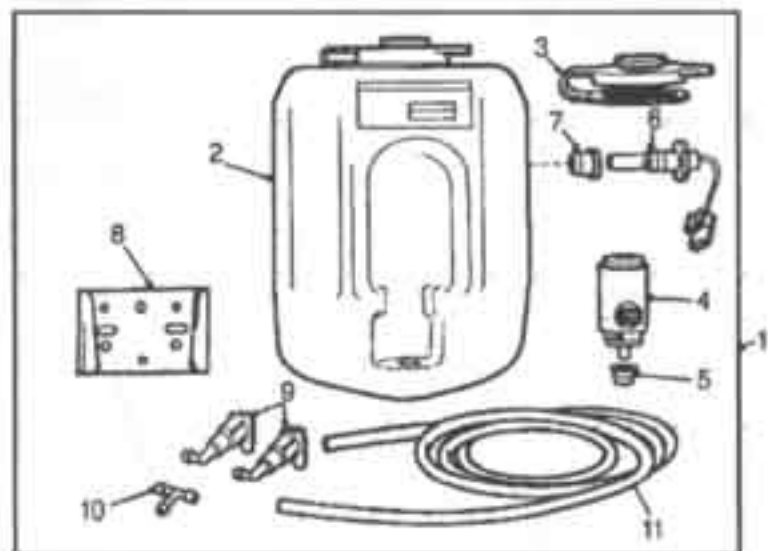
Body Electrics
Wipers and Washers
Wiper Motors and Blades

Illus	Part Number	Description	Quantity	Change Point	Remarks
FRONT WIPER					
1	607613	Motor-windscreen wiper-RHD.....	1		
1	610266	Motor-windscreen wiper-LHD.....	1		
2	607614	Link assembly-windscreen wiper-RHD.....	NLA		Use 610264 Wiper motor repositioned.
2	610264	Link assembly-windscreen wiper-RHD.....	1		
2	610076	Link assembly-windscreen wiper-LHD.....	1		
3	607615	Arm-windscreen wiper-front-RHD.....	2		
	610267	Arm-windscreen wiper-LHD.....	1		
4	607616	Blade-windscreen wiper-front.....	2		
5	606291	Bracket-wiper motor-front-RHD.....	1	To (V) XC 104876	
5	609974	Bracket-wiper motor-front-RHD.....	1	From (V) XC 104877	
5	610047	Bracket-wiper motor-LHD.....	1		
6	607357	Grommet-windscreen wiper motor bracket.....	4		
7	S620HEX	Setscrew-mounting to plenum-M6 x 20.....	4		
8	WS6H	Washer-spring-M6.....	4		
9	N8	Nut-wiper motor spindle-M8.....	1		
10	900332	Washer-lock.....	1		
11	900333	Bolt-wiper motor mounting.....	3		
12	900334	Washer-spring.....	3		
REAR WIPER					
13	607358	Motor-windscreen wiper-rear.....	1		
20	900331	Kit-sealing washers and fittings.....	1		
	610213	Washer-sealing.....	1		
15	S620HEX	Setscrew-wiper motor mounting-M6 x 20.....	1		
16	WS6H	Washer-spring-M6.....	1		
17	606210	Tube.....	1		
18	607359	Arm assembly-windscreen wiper-rear.....	1		
19	607360	Blade-windscreen wiper-rear.....	1		
9	N8	Nut-wiper motor spindle-M8.....	1		
10	900332	Washer-lock.....	1		

London Taxis International Taxi TX1 Range

M13
Fiche 1

Body Electrics
Wipers and Washers
Windscreen Washers and Jets to Vin



Illus	Part Number	Description	Quantity	Change Point	Remarks
1	607702	KIT-WASHER BOTTLE-FRONT	1		
2	607807	• CONTAINER & SENSOR ASSEMBLY-WINDSCREEN WASH-FRONT	1		
2	900393	• • Container-windscreen wash-front	1		
3	900387	• • Cap-washer system	1		
4	900384	• • Pump assembly-windscreen wash	1		
5	900383	• • Grommet-container assembly pump	1		
6	900385	• • Sensor-windscreen wash container low level	1		
7	900386	• • Grommet	1		
8	607774	• Bracket-washer bottle	1		
9	607808DP	• Jet assembly-windscreen wash single nozzle	2		
10	607809	• T piece	1		
11	607810	• Hose-windscreen wash	1		
	8114	Rivet-pop-aluminium-bracket to body	3		
	9578	Tie-cable-hose to bonnet	7		
	607891	Grommet-washer tube	3		
	WIT10	Washer-lock-jet to body-M10	1		
12	607775	KIT-WASHER BOTTLE-REAR	1		
	607771	• CONTAINER ASSEMBLY-WINDSCREEN WASH-REAR	1		
13	900394	• • Container-windscreen wash-rear	1		
3	900387	• • Cap-washer system	1		
4	900384	• • Pump assembly-windscreen wash	1		
5	900383	• • Grommet-container assembly pump	1		
14	607772	• Jet assembly-windscreen wash single nozzle-rear	1		
11	607773	• Hose-windscreen wash	1		
8	607774	• Bracket-washer bottle	1		

London Taxis International Taxi TX1 Range

M15
Fiche 1

Body Electrics
Intercom
Intercom System

Illus	Part Number	Description	Quantity	Change Point	Remarks
	1 608933	Amplifier-intercom.....	NLA		
	1 610614	Amplifier-intercom-c/w radio mute.....	1		Use 610614.
	2 N4	Nut-amplifier to heater-M4.....	4		
	3 WPN4H	Washer-plain-M4.....	4		
	4 WS4H	Washer-spring.....	4		
	5 608221	Speaker-front coaxial.....	2		
	6 8182SS	Screw-passenger's speaker to parcel shelf-No 8 x... 3/4-stainless steel.....	4		
	7 9581	Nut-spring-u type-No 8.....	6		
	8 608222	Fret-speaker-passenger.....	1		
	6 8182SS	Screw-driver's speaker to division header-No 8 x... 3/4-stainless steel.....	4		
	9 608083	Nut-spring-u type-No 8.....	4		
	10 609075	Microphone-intercom-long.....	2		
	10 609076	Microphone-intercom-short.....	1		
	11 900278	Clip.....	3		
	12 608935	Cable-induction loop.....	1		
	13 900392	Clip-self adhesive-induction loop.....	5		

